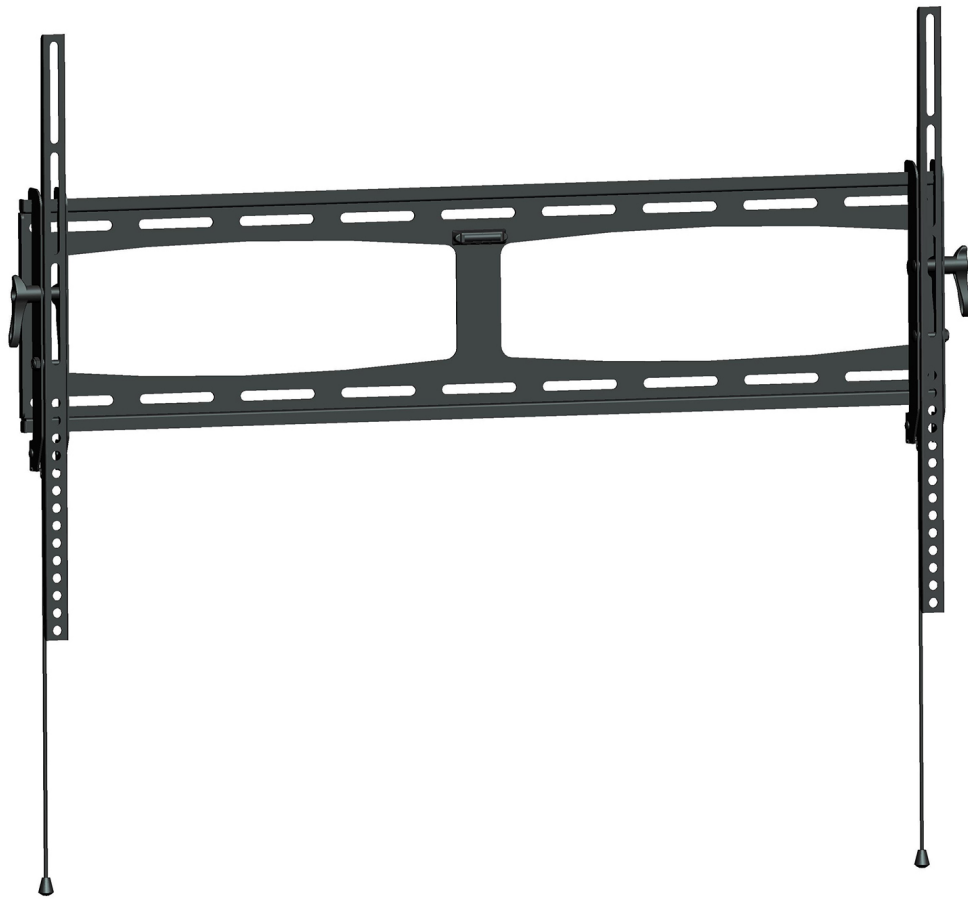
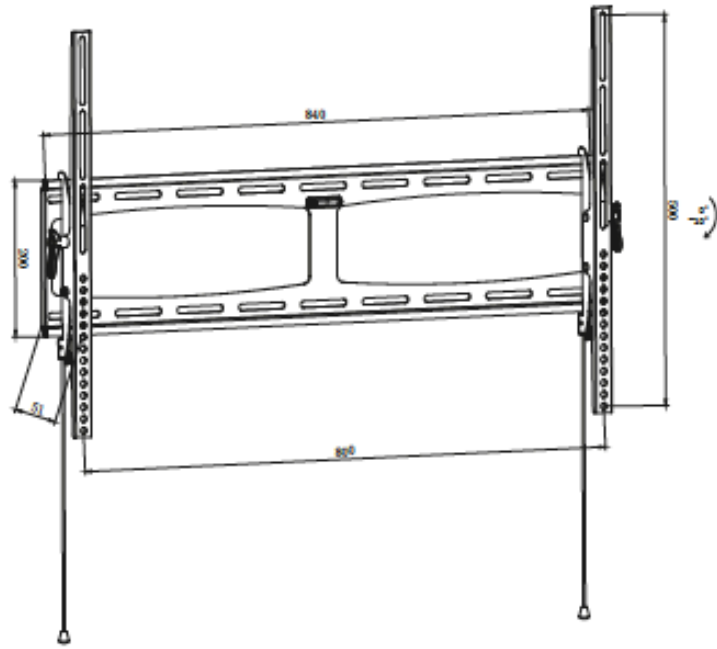


Leader
nothingelse.



WM607NA

GUIDE D'INSTALLATION
INSTALLATION GUIDE
INSTALLATIONSANLEITUNG

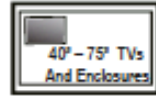


IMPORTANT SAFETY INSTRUCTIONS

CAUTION: A CAUTION alerts you to the possibility of damage or destruction of equipment if you do not follow the corresponding instructions. Not following all instructions can result in serious personal injury, damage to equipment, or voiding of factory warranty! It is the installer's responsibility to make sure all components are properly assembled and installed using the instructions provided.

WARNING: Failure to provide adequate structural strength for this component can result in serious personal injury or damage to equipment! It is the installer's responsibility to make sure the structure to which this component is attached can support five times the combined weight of all equipment. Reinforce the structure as required before installing the component.

WARNING: Make sure that no electrical cables, water pipes or gas pipes are located within the wall.



NOTE: We recommend that this product is installed by the professional only. We accept no liability for damages caused by incorrect assembly, installation or use. If there is any doubt, please contact the specialist from the seller for help.

IMPORTANT!

- For safety reasons, the wall or mounting surface must be capable of supporting the combined weight of the mount and the display; otherwise the structure must be reinforced.
- Safety gear and proper tools must be used. Failure to do so can result in property damage and/or serious injury.
- Make sure that no electrical cables, water pipes or gas pipes are located within the wall.

Tools required for the installation:

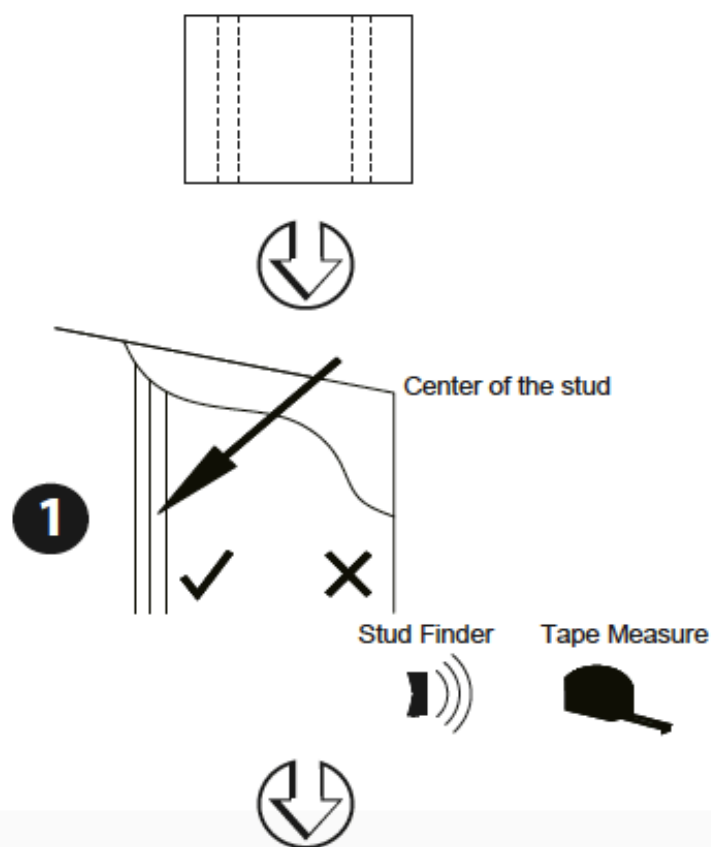
- Phillips Head Screw Driver
- Electric or Portable Drill
- Ratchet Driver with 1/2" (13 mm) Socket
- 6 mm Drill Bit + Stud Finder (Drywall Installation)
- 10 mm Masonry Bit (Concrete Installation)

Also make sure that all of the hardware has been included with your mount. You should find the following:

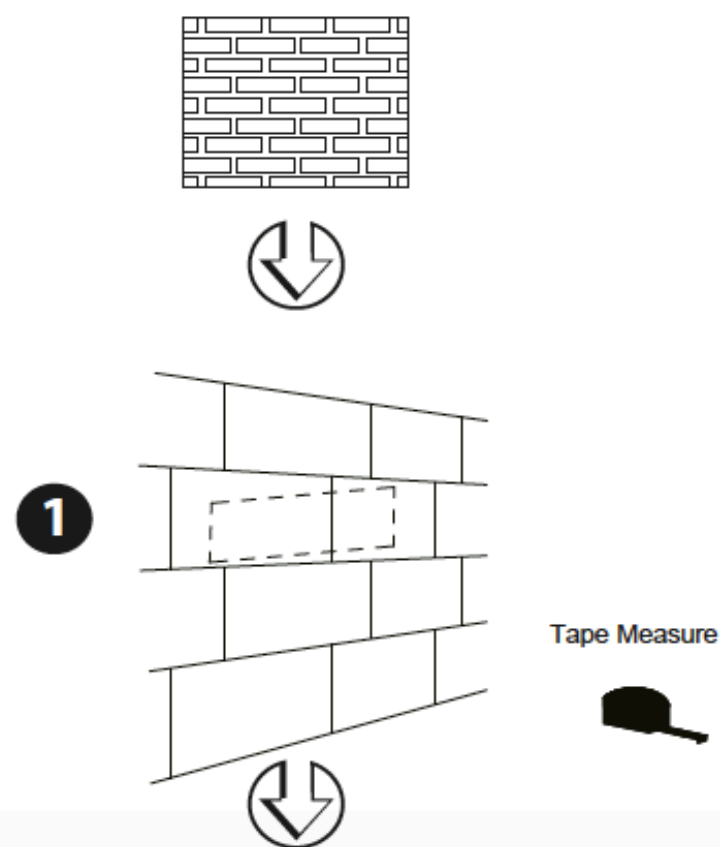
- | | | | | | |
|------------------------|--|-------------------------|--|--------------------------|--|
| (A) M6X50 lag bolt X 6 | | (B) Concrete Anchor X 6 | | (C) 16X6.5X2 washer X 10 | |
| (D) M4X20 X 4 | | (E) M6X20 X 4 | | (F) M8X30 X 4 | |
| (G) 15*8*5 X 4 | | | | | |

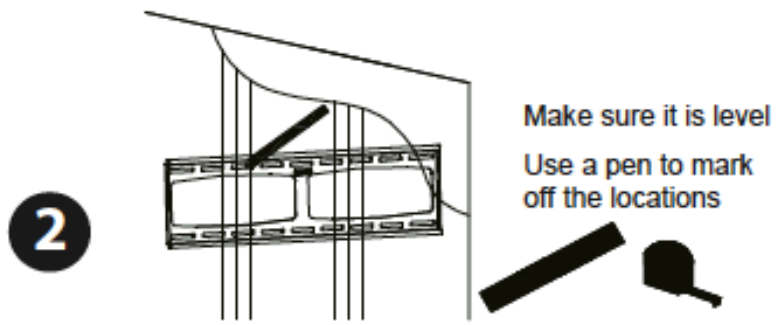
Installing the Wall Mount

Drywall Installation



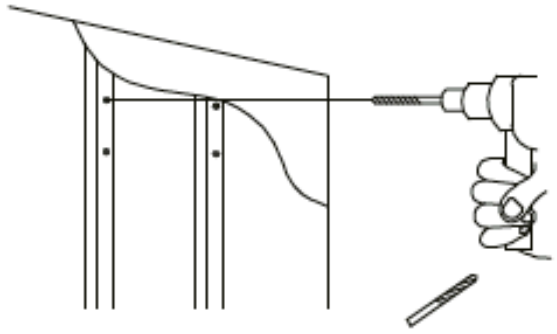
Concrete/Brick Installation



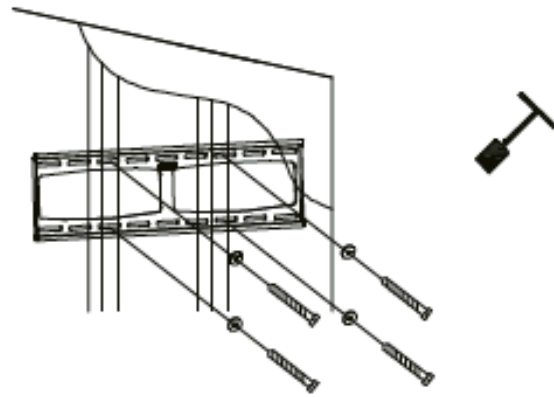


Make sure it is level
Use a pen to mark
off the locations

2

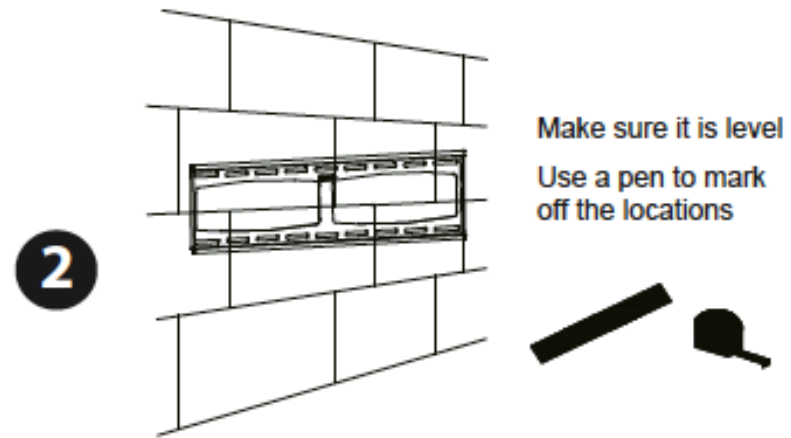


3



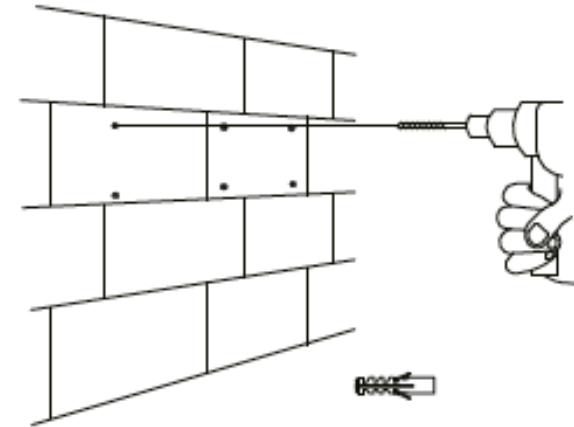
4

Affix the wall plate to the wall
using the Lag Bolt (A) provided.

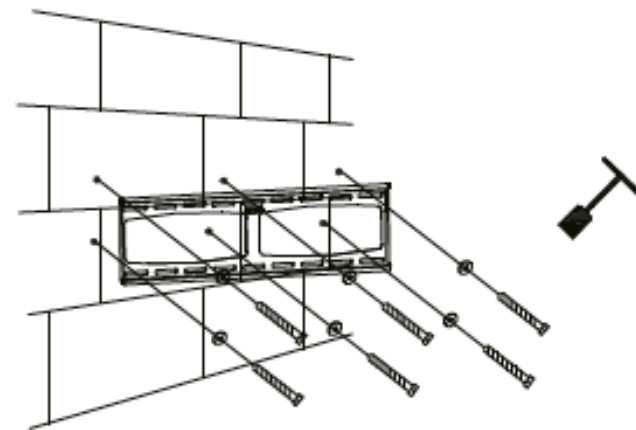


Make sure it is level
Use a pen to mark
off the locations

2

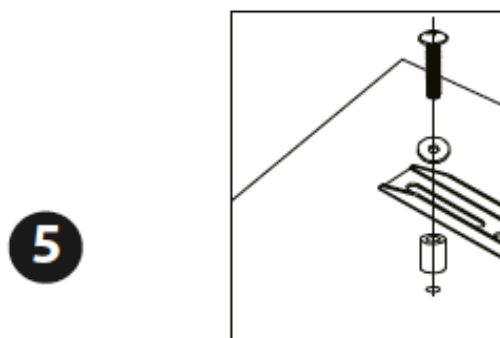


3



4

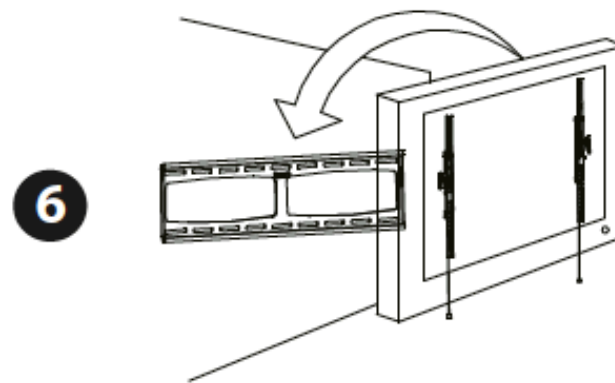
Affix the wall plate with screw(A)
and washer (C)



5

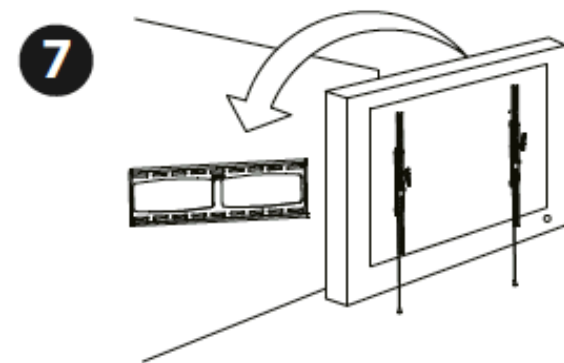
Choose proper bolt from (D),(E),(F)
according to TV Vesa hole

Fixed the TV bracket With TV by
bolts ,washer(C) and spacer(G)



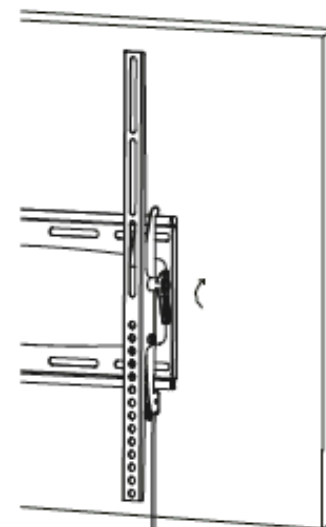
6

Hang the tv to the vesa plate.



7

Hang the TV on the wall plate.



1st step:
Turn the knob Clockwise

2nd Step:
When it's turned to the end,
pull the knob out and turn Counterclockwise

3rd Step:
Repeat the 1st step until knob is tightened

If tilt is desired, adjust the brackets as per the steps above: